

SPIDER LIFT

IM R 15 DA PRO

15 m
working height

NEW

STANDARD EQUIPMENT

- Automatic outriggers levelling
- Outrigger pads (Ø 200 mm)
- Emergency hand pump
- Hour meter
- Load control sensor
- Aerial part control through position sensors
- Jib without restrictions
- Rubber tracks
- Hydraulically adjustable tracks width
- Double speed traction
- Wireless control box with high resolution 4.3" display
- Upper control box cover
- Air / Water outlet in the platform
- 230V - 16 A outlet in the platform

PETROL/DIESEL EQUIPMENT

- Honda GX390 petrol engine - 8.2 kW 3600 rpm
- Yanmar L100N diesel engine - 6.5 kW 3600 rpm
- 230V - 16 A electro-pump for indoor use

LITHIUM EQUIPMENT

- Lithium batteries 48V / 110Ah
- Electric motor 48V / 4 kW AC low voltage

OPTIONALS

- Non-marking rubber tracks
- Oversized outrigger pads (Ø 350 mm)
- Rectangular outrigger pads
- Working light in the platform
- Aluminium basket 0.90 x 0.70 x 1.10 m
- Winch kit
- Trailer kit
- Basket anti-collision kit
- IMERVIEW kit

PETROL/DIESEL OPTIONALS

- 12V emergency electro-pump

LITHIUM OPTIONALS

- 48V emergency electro-pump



Max working height
15 m



Max side outreach
7 m / 230 kg



Boom type
Double Articulation



Capacity
230 kg



BENEFITS

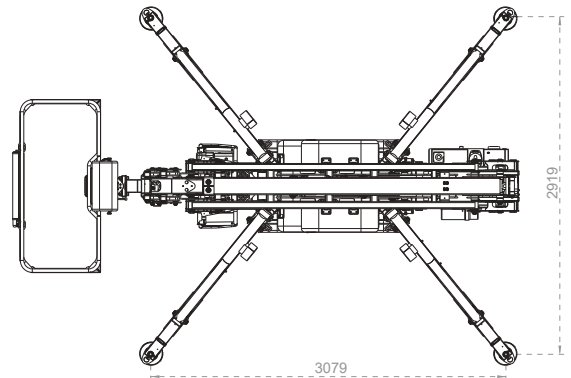
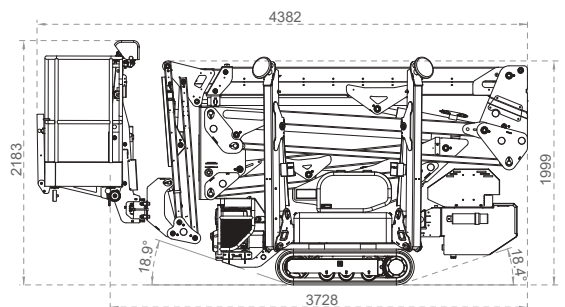
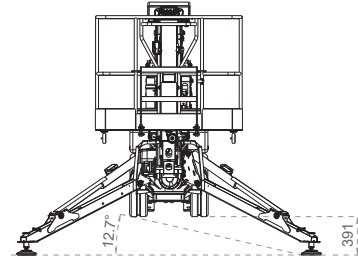
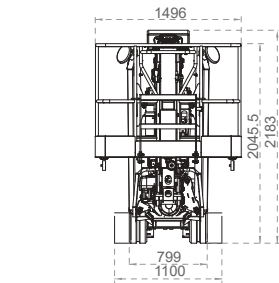
- ✓ Double articulation machine and jib without restrictions for a high operability in all construction site conditions.
- ✓ New removable control box with high resolution 4.3" display and easier operator interaction for better machine control.
- ✓ Return-to-Home function for automatic closing of the platform.
- ✓ Upper control box cover for complete protection of the remote control when not in use.
- ✓ New automotive-derived electrical system, ensuring greater reliability, energy efficiency, and simplified maintenance.
- ✓ Adjustable tracks width: more stability and traction to move around the building site or rough terrain.
- ✓ Full opening of the machine to 15 m in less than 30 s.
- ✓ Automatic outriggers levelling: maximum easiness of use and safety.
- ✓ Position and load electronic controls for the whole aerial part of the machine, visible directly on the display.
- ✓ Turret slewing 360° (not continuous): outstanding aerial accessibility in any work situation.
- ✓ Basket rotation: complete placement on working site in any condition.
- ✓ New system for emergency descent with manual pump integrated into the control levers' compartment.
- ✓ Compact size, with limited overall outrigger footprint.
- ✓ Easy access to all parts of the machine where routine maintenance is required.
- ✓ Covering of all exposed parts through protective structures.



Removable control box with high resolution 4.3" display.



Lithium battery compartment (lithium version).



Side outreach and articulation height 7 m x 7 m.



Compact dimensions for maximum accessibility into any work environment.

		IM R 15 DA PRO	
		Petrol/diesel engine	Lithium
Working height	m	15.1	
Platform height	m	13.1	
Side outreach	m/kg	7.00 / 230	
Up & Over	m	7	
Turret slewing	(°)	360 (not continuous)	
Basket dimensions	m	1.50 x 0.70 x 1.10	
Overall outrigger footprint	m	2.92 x 3.08	
Driving speed	km/h	2.6	2.2
Gradeability	%	30	
Max load capacity	kg	230	
Electric motor	V/kW	230 / 2.2	48 / 4 AC low voltage
Petrol engine Honda GX390	kW/rpm	8.2 / 3600 rpm	-
Diesel engine Yanmar L100N	kW/rpm	6.5 / 3600 rpm	-
Lithium batteries	V/Ah	-	48 / 110
Lithium batteries charger	V/A	-	48 / 50
Transport length (without basket)	m	4.40 (3.70)	
Transport width (with extended tracks)	m	0.79 (1.10)	
Stowed height (with outrigger pads)	m	1.99 (2.05)	
Total weight of the machine	kg	2030 (petrol) 2060 (diesel)	2060

